

VITRO S



**AZKOYEN**  
GROUP

# **BUILDING COFFEE EXPERIENCES**

# VITRO S1

## VITRO S1 ESPRESSO

The Vitro S1 Espresso is a compact coffee machine designed to provide the highest quality of coffee espresso based drinks into any location that consumes less than 60 cups per day.



27.5 Kg Machine

230 Vac / 6.5A / 1.5kW / 50Hz

### Technical features

0.315 litres Pressure Boiler capacity (Espresso)  
 1.1 kW Max. power Pressure Boiler  
 0.8 Bar Min. / 10 Bar Max. Water Pressure

### Machine Capacity

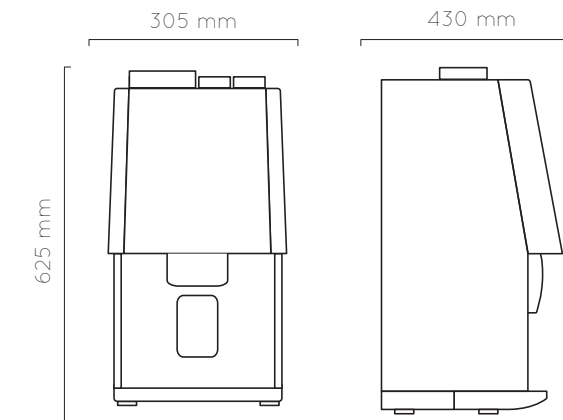
Coffee beans	1200 g / 171 cups
Powdered Milk	600 g / 150 cups
Chocolate	800 g / 40 cups
Coffee Cakes	80 cakes

### Productivity per hour

Hot water per hour 9.9 litres.	
Espresso 90 cups.	
Soluble drink 90 cups.	
Cappuccino 70 cups.	

### Drink Capacity

Espresso 150 cups.	
Cappuccino (Powdered Milk) 150 cups.	
Chocolate 40 cups.	



# VITRO S1

## VITRO S1 INSTANT

The Vitro S1 Instant has been designed to fit the smallest spaces, it is an autonomous automatic coffee machine including four soluble products as standard – providing the consumer with a varied selection of hot beverages to choose from.



21 Kg Machine

230 Vac / 6.5A / 1.5kW / 50Hz

### Technical features

0.315 litres Pressure Boiler capacity  
 1.1 kW Max. power Pressure Boiler  
 0.8 Bar Min. / 10 Bar Max. Water Pressure

### Machine Capacity

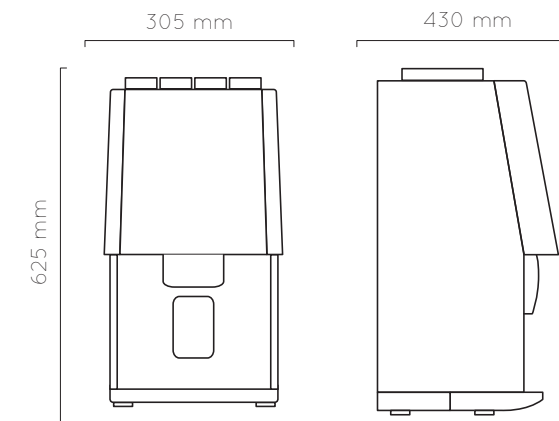
Coffee beans	400 g / 250 cups
Instant Coffee	400 g / 250 cups
Powdered Milk	600 g / 150 cups
Chocolate	800 g / 40 cups

### Productivity per hour

Hot water per hour 9.9 litres.	
Soluble drink 90 cups.	
Cappuccino 70 cups.	

### Drink Capacity

Espresso 250 cups.	
Cappuccino (Powdered Milk) 150 cups.	
Chocolate 40 cups.	



# VITRO

[WWW.VITROCOFFEE.COM](http://WWW.VITROCOFFEE.COM)

## U.K.

Unit 1, Portishead Business Park  
Old Mill Road, Portishead  
Bristol, BS20 7BX  
Tel.: 01275 844 471

## España

Avda. San Silvestre, s/n  
31350 Peralta (Navarra)  
Tel.: +34 948 709 709

## Deutschland

Am Turm 86  
53721 Siegburg  
Tel.: 02241-595 70

## France

7 Allée de Londres  
Le Madras Bat C2  
91140 Villejust  
Tel.: 01 69 75 42 10

## Portugal

Bela Vista Office  
Estrada de Paço  
de Arcos, 66  
2735-336 Cacem  
Tel.: 1210 985 212

## Colombia

Via la Virginia, Corregimiento  
Caimalito. Bodega B-16.  
Zona Franca Internacional  
Pereira  
Tel.: +57 6 31 105 13

## United States

1100 South Tryon Street,  
Suite 200  
Charlotte, NC 28203  
Tel.: (803) 524-1008

Vending Systems Division



84800281 - 1902

**AZKOYEN**

